

Modern, interior spotlight equipped with LED light sources, available in two colour temperatures, adjusted for direct connection to 3-phase track, none driver required.

**TECHNICAL DATA****Mounting:** in 3-phase track**Body:** high pressure die-cast aluminum**Colour:** white, gray, black**ELECTRICAL DATA****Power:** 220-240V 50/60Hz**Includes light source:** yes**Type of equipment:** ED**Electrical connection:** in 3-phase track**OPTICAL DATA****Light distribution:** circular**Way of lighting:** direct**Reflector:** aluminum polished faceted**GENERAL DATA****Lifetime (L70B50):** 50 000 h**Warranty:** 3 years**Application:** boutiques, galleries, shopping centers, car showrooms, museums, exhibitions, exhibitions

Code	Replacement of conventional technology [W]	Beam angle	Luminaire power [W]	Lumen luminaire [lm]	Efficacy [lm/W]	Colour temperature [K]	CRI/Ra	Operating temperature range [°C]
<b>Colour: white</b>								
300021.00001	20W (28W)	14°	18	1300	72	3000	≥80	0 ... +35
300021.00002	20W (28W)	14°	18	1400	78	4000	≥80	0 ... +35
300021.00003	20W (28W)	30°	18	1250	69	3000	≥80	0 ... +35
300021.00004	20W (28W)	30°	18	1250	69	4000	≥80	0 ... +35
300021.00005	35W (43W)	23°	29	2100	72	3000	≥80	0 ... +35
300021.00006	35W (43W)	23°	29	2100	72	4000	≥80	0 ... +35
300021.00007	35W (43W)	35°	29	1950	67	3000	≥80	0 ... +35
300021.00008	35W (43W)	35°	29	1950	67	4000	≥80	0 ... +35
<b>Colour: gray</b>								
300022.00017	20W (28W)	14°	18	1300	72	3000	≥80	0 ... +35
300022.00018	20W (28W)	14°	18	1400	78	4000	≥80	0 ... +35
300022.00019	20W (28W)	30°	18	1250	69	3000	≥80	0 ... +35
300022.00020	20W (28W)	30°	18	1250	69	4000	≥80	0 ... +35
300022.00021	35W (43W)	23°	29	2100	72	3000	≥80	0 ... +35
300022.00022	35W (43W)	23°	29	2100	72	4000	≥80	0 ... +35
300022.00011	35W (43W)	35°	29	1950	67	3000	≥80	0 ... +35
300022.00012	35W (43W)	35°	29	1950	67	4000	≥80	0 ... +35
<b>Colour: black</b>								
300023.00023	20W (28W)	14°	18	1300	72	3000	≥80	0 ... +35
300023.00013	20W (28W)	14°	18	1400	78	4000	≥80	0 ... +35
300023.00024	20W (28W)	30°	18	1250	69	3000	≥80	0 ... +35
300023.00009	20W (28W)	30°	18	1250	69	4000	≥80	0 ... +35
300023.00015	35W (43W)	23°	29	2100	72	3000	≥80	0 ... +35
300023.00016	35W (43W)	23°	29	2100	72	4000	≥80	0 ... +35
300023.00014	35W (43W)	35°	29	1950	67	3000	≥80	0 ... +35
300023.00010	35W (43W)	35°	29	1950	67	4000	≥80	0 ... +35

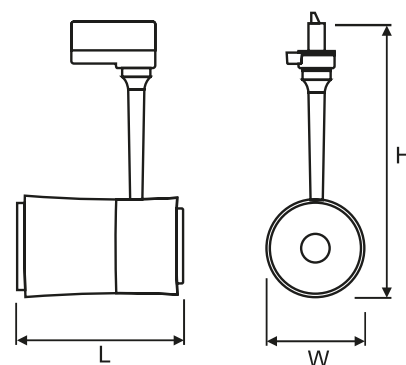
Luminous flux tolerance +/- 10%.

Power tolerance +/- 5%.

Lighting beam, light intensity distribution and light efficiency were examined in accordance with the EN ISO 17025:2005 norm for EN13032 norm series and the LM-79 norm.

Up-to-date product info available on our website [www.lugbox24.com](http://www.lugbox24.com)

Code	Dimensions [mm] L W H	Pallet quantity	Quantity in package	Net weight [kg]
<b>Colour: white</b>				
300021.00001	145 88 200	448	1	0.9
300021.00002	145 88 200	448	1	0.9
300021.00003	145 88 200	448	1	0.9
300021.00004	145 88 200	448	1	0.9
300021.00005	145 88 200	448	1	0.9
300021.00006	145 88 200	448	1	0.9
300021.00007	145 88 200	448	1	0.9
300021.00008	145 88 200	448	1	0.9
<b>Colour: gray</b>				
300022.00017	145 88 200	448	1	0.9
300022.00018	145 88 200	448	1	0.9
300022.00019	145 88 200	448	1	0.9
300022.00020	145 88 200	448	1	0.9
300022.00021	145 88 200	448	1	0.9
300022.00022	145 88 200	448	1	0.9
300022.00011	145 88 200	448	1	0.9
300022.00012	145 88 200	448	1	0.9
<b>Colour: black</b>				
300023.00023	145 88 200	448	1	0.9
300023.00013	145 88 200	448	1	0.9
300023.00024	145 88 200	448	1	0.9
300023.00009	145 88 200	448	1	0.9
300023.00015	145 88 200	448	1	0.9
300023.00016	145 88 200	448	1	0.9
300023.00014	145 88 200	448	1	0.9
300023.00010	145 88 200	448	1	0.9



## OTHER PICTURES

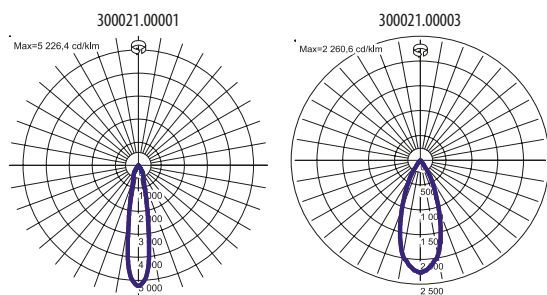
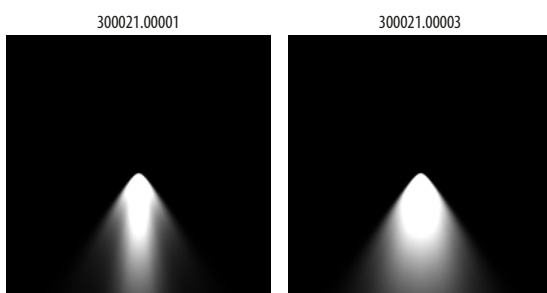


Luminous flux tolerance +/- 10%.

Power tolerance +/- 5%.

Lighting beam, light intensity distribution and light efficiency were examined in accordance with the EN ISO 17025:2005 norm for EN13032 norm series and the LM-79 norm.

Up-to-date product info available on our website [www.lugbox24.com](http://www.lugbox24.com)

**LIGHT BEAM CURVES****WAY OF LIGHTING****OTHER PROJECTS**

Supermarket Intermarche, Czarnków, Poland

Luminous flux tolerance +/- 10%.

Power tolerance +/- 5%.

Lighting beam, light intensity distribution and light efficiency were examined in accordance with the EN ISO 17025:2005 norm for EN13032 norm series and the LM-79 norm.

Up-to-date product info available on our website [www.lugbox24.com](http://www.lugbox24.com)